

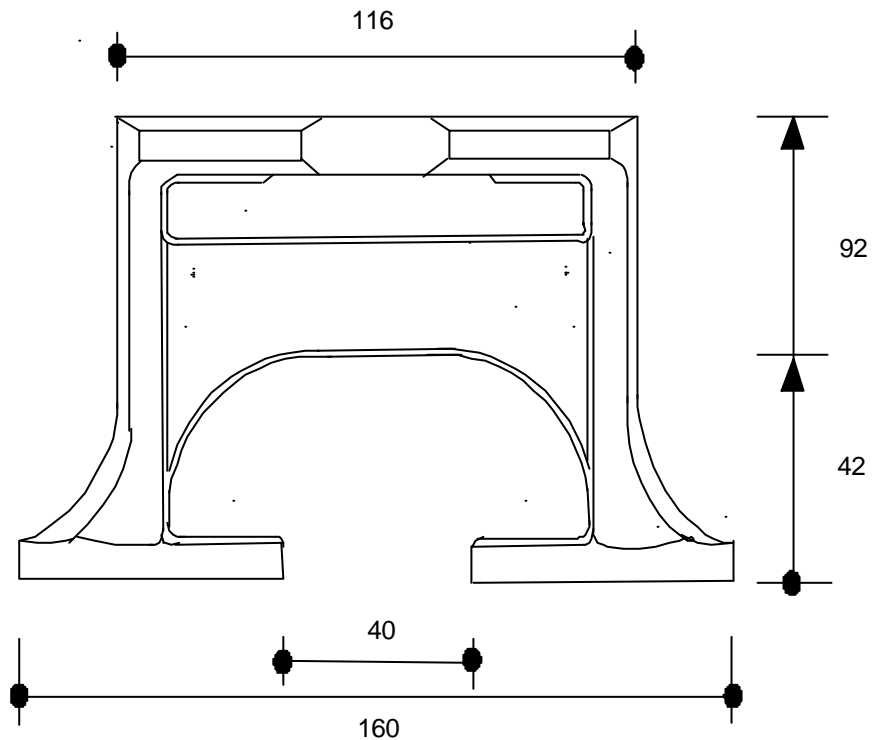
Boilers

Calorifiers

Radiators

RMFSTANDCI

Cast iron floor stands for FKR and Windsor radiators



All dimensions shown are in mm
RMFSTANDCI is suitable for Clyde cast iron radiator models 160, 220 and 250
Refer to EDS 669 (FKR radiators) or EDS 640 (Windsor radiators) for additional information

Radiator supports