

Boilers

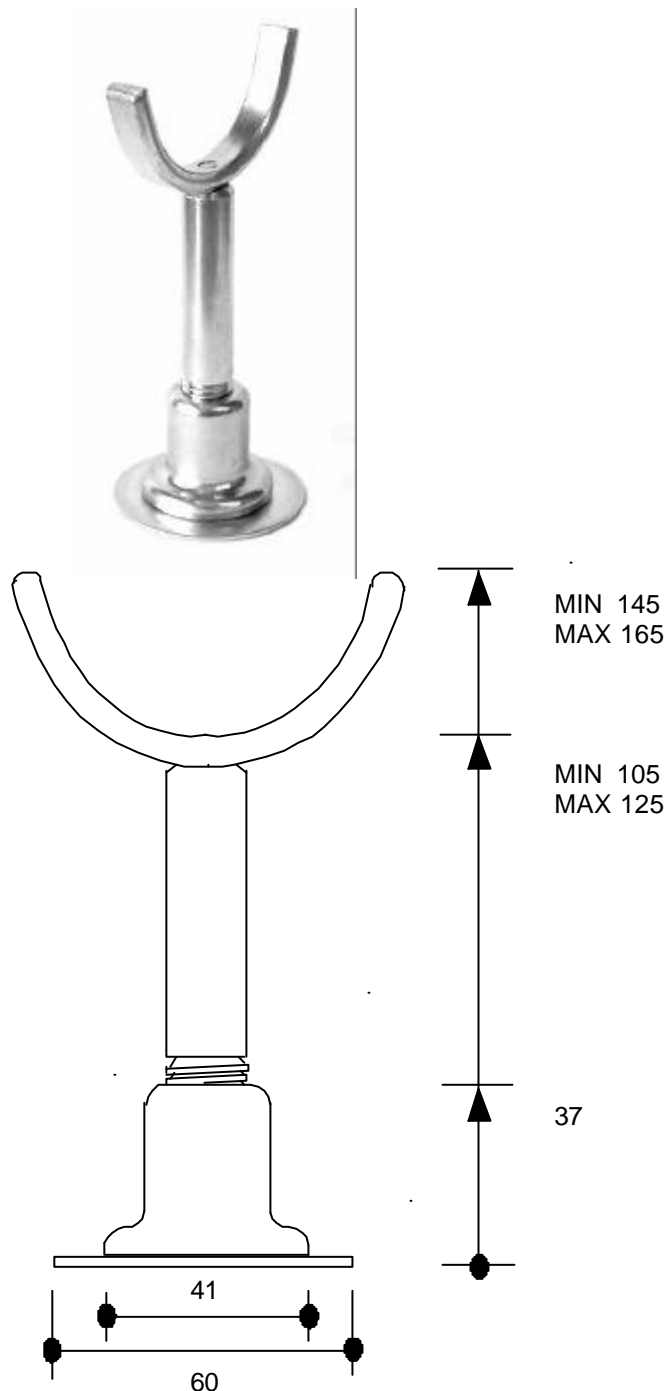
Calorifiers

Radiators

Radiator supports

RMFSUP3

Adjustable height floor supports for FKR, Windsor and Tesi radiators



All dimensions shown are in mm

RMFSUP3 is bright zinc plated and suitable for all Clyde FKR, Windsor and Tesi radiators except F200/250

Refer to EDS 669 (FKR radiators), EDS 640 (Windsor radiators) or EDS 670 (Tesi radiators) for additional information